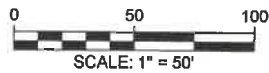


NOTES:

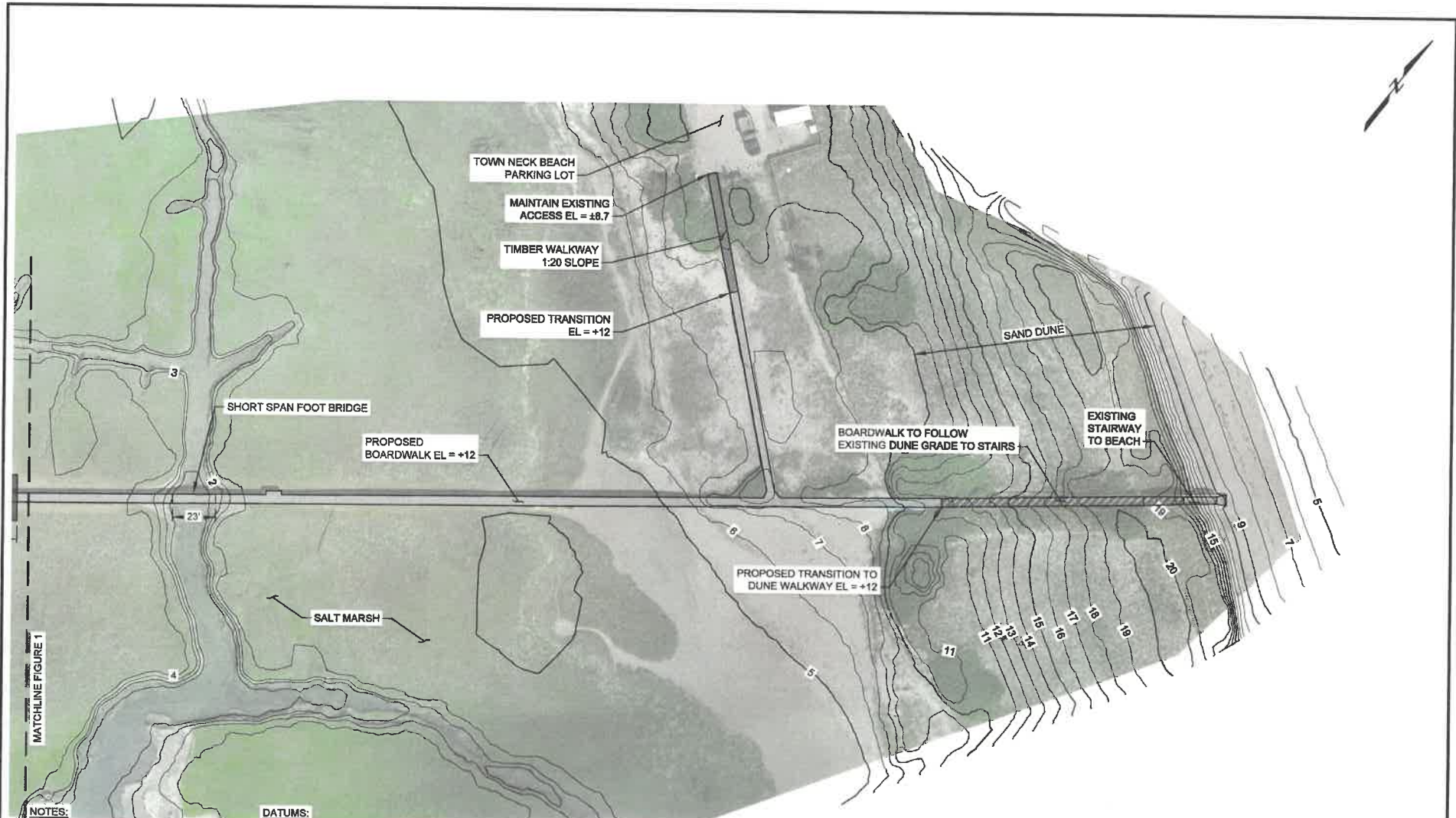
SURVEY DATE: JUNE 22, 2018
 SURVEY DATUM: MSL
 BOARDWALK LENGTHS (APPROX.)
 TOTAL BOARDWALK LENGTH = 1500'
 MAIN BOARDWALK LENGTH = 1334'
 MILL CREEK FOOT BRIDGE = 144'
 SHORT SPAN FOOT BRIDGE = 23'

DATUMS:

MHHW = 5.18
 MHW = +4.35
 NAVD88 = +0.49
 MSL = 0.0
 MLW = -4.91
 MLLW = -5.13

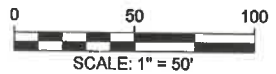


Sandwich Boardwalk Restoration Sandwich Boardwalk Sandwich, MA		PROPOSED BOARDWALK PLAN
Town of Sandwich Sandwich, MA		



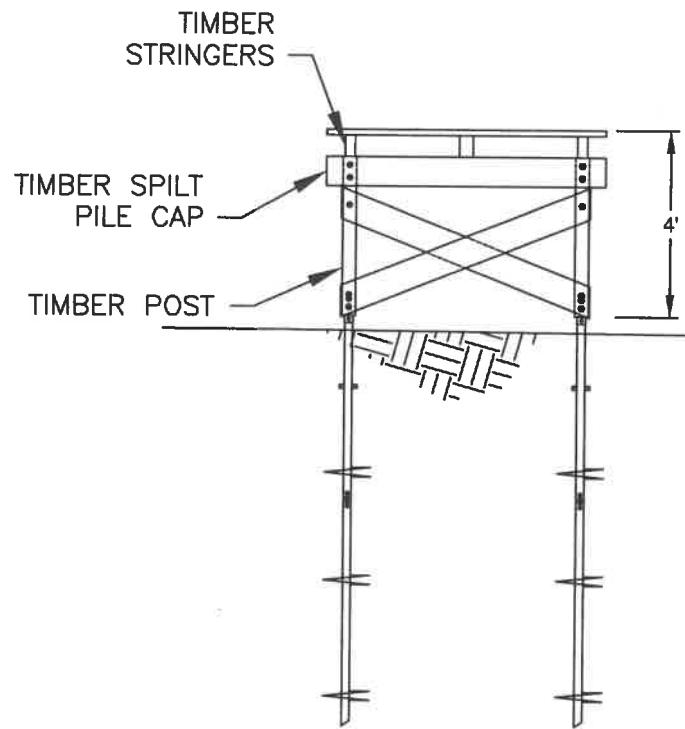
NOTES:
 SURVEY DATE: JUNE 22, 2018
 SURVEY DATUM: MSL
 BOARDWALK LENGTHS (APPROX.)
 TOTAL BOARDWALK LENGTH = 1500'
 MAIN BOARDWALK LENGTH = 1334'
 MILL CREEK FOOT BRIDGE = 144'
 SHORT SPAN FOOT BRIDGE = 23'

DATUMS:
 MHHW = 5.18
 MHW = +4.35
 NAVD88 = +0.49
 MSL = 0.0
 MLW = -4.91
 MLLW = -5.13

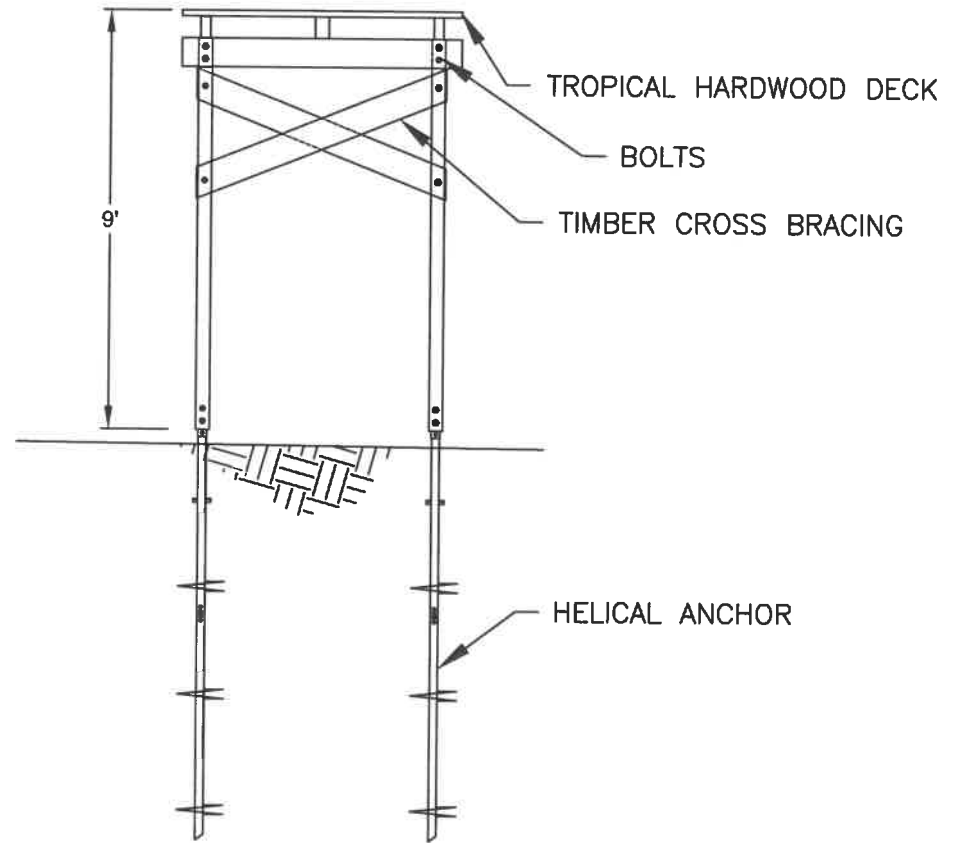


Sandwich Boardwalk Restoration Sandwich Boardwalk Sandwich, MA		PROPOSED BOARDWALK PLAN	
		Town of Sandwich Sandwich, MA	Project 1802840 February 2019

Fig. 2



EXISTING ELEVATION - SECTION



INCREASED ELEVATION - SECTION

NOTES:

1. NOT TO SCALE


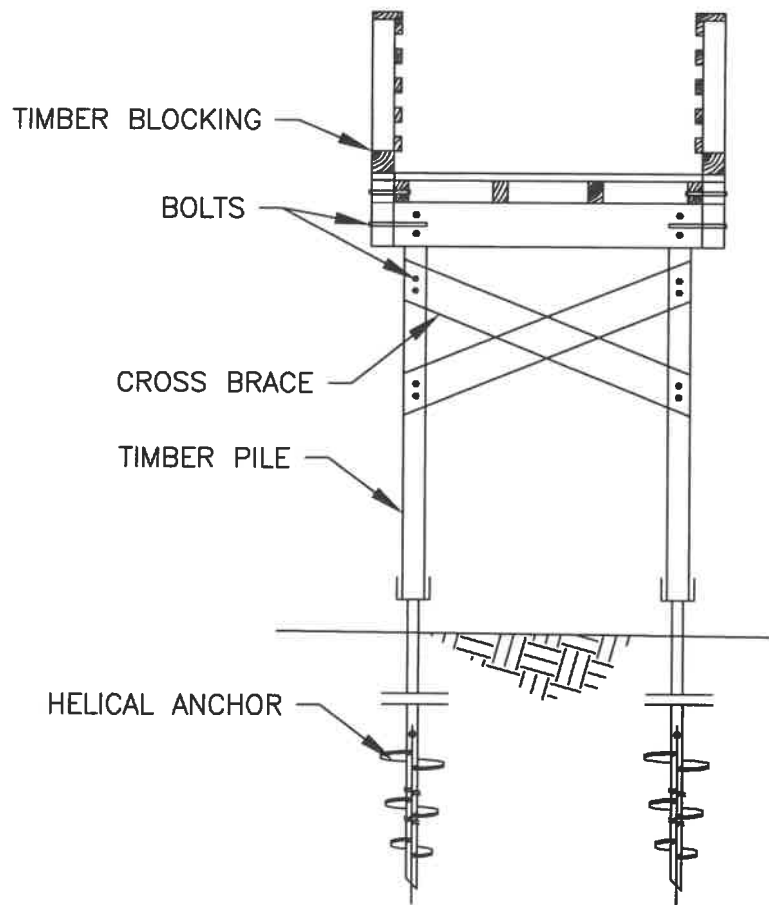
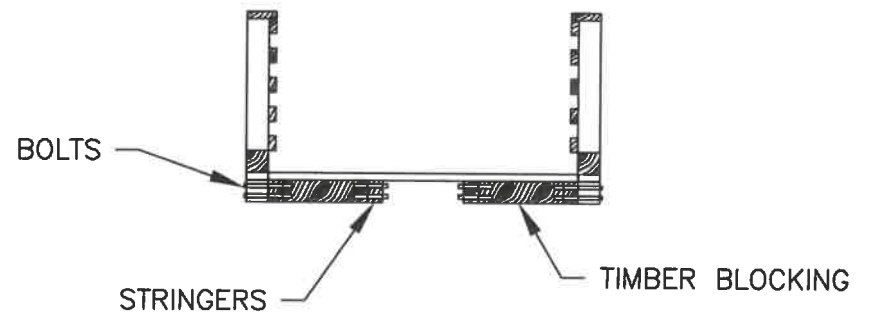
Deck Elevations Sandwich Boardwalk Sandwich, MA	 GEI Consultants	Existing & Increased Deck Elevations
Town of Sandwich Sandwich, MA		

Fig. 3



VERTICAL RAILING AT PILE CAP - SECTION

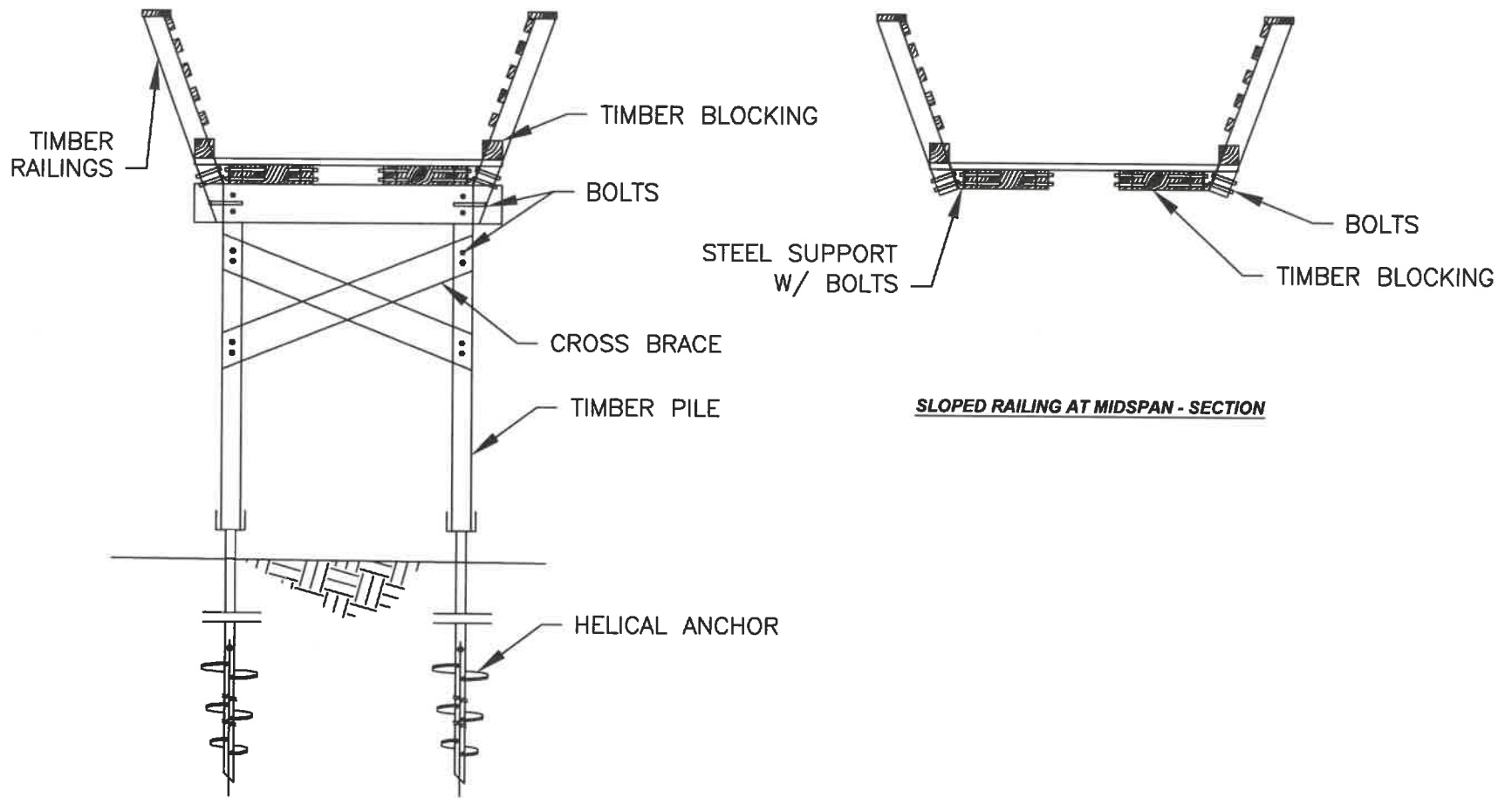


VERTICAL RAILING AT MIDSPAN - SECTION

NOTES:

1. NOT TO SCALE

Option D: Sandwich Boardwalk Sandwich, MA		Vertical Railing Detail
Town of Sandwich Sandwich, MA	Project 1802840	April 2019 Fig. 4



SLOPED RAILING AT PILE CAP - SECTION

SLOPED RAILING AT MIDSPAN - SECTION

NOTES:

- 1. NOT TO SCALE

<p>Option D: Sandwich Boardwalk Sandwich, MA</p>		<p>Sloped Railing Detail</p>
<p>Town of Sandwich Sandwich, MA</p>	<p>Project 1802840</p>	<p>April 2019 Fig. 5</p>